



- For military / governmental / traffic / critical buildings
- Shielded for (nuclear) electro magnetic pulse (also lightning)
- HD / IP Cam with ONVIF
- Integration in existing surveillance systems

E1 & E2 Hardened HD IP Colour Camera

As the threat of a nuclear attack and also the trend to use electro-magnetic weapons (intentional electromagnetic interference – IEMI) are constantly growing, there is demand for CCTV systems, which can survive such attacks. Lightnings in close vicinity also cause high electromagnetic pulses (EMP).

PONTIS (N)EMP cameras offer a special shielding and filtering to withstand the high field strengths, especially magnetic fields, occurring with EMP and NEMP pulses. In addition to the electro-magnet immunity the cameras can also withstand harsh environmental conditions (-20 °C to + 70 °C).

In most cases these cameras need to be integrated in existing CCTV and surveillance systems. The NEMP camera offers an IP interface, that is compatible with many surveillance software applications (supporting also ONVIF).

The PONTIS NEMP CCTV system is composed of the actual camera inside a weather proof housing and a separate shielded power supply. The data communication (Ethernet) is by fibre optics. All cables for the power supply need to be specially shielded. Inside the camera housing there is a special mechanical shielding and high performance filters.

Features:

- Protected against class E1 & E2 pulse (short & intermediate)
- Optional remotely controlled Pan/Tilt
- Data communication (Ethernet) via fibre optic cables
- IP camera with ONVIF support
- Extended features: manual iris control, including wide dynamic range, Long exposure , image stabiliser
- HD video
- Weather protection IP65
- 24 / 7 operation

Accessories:

Required:

- Power supply (hardened)
- Fibre optic cables

Optional:

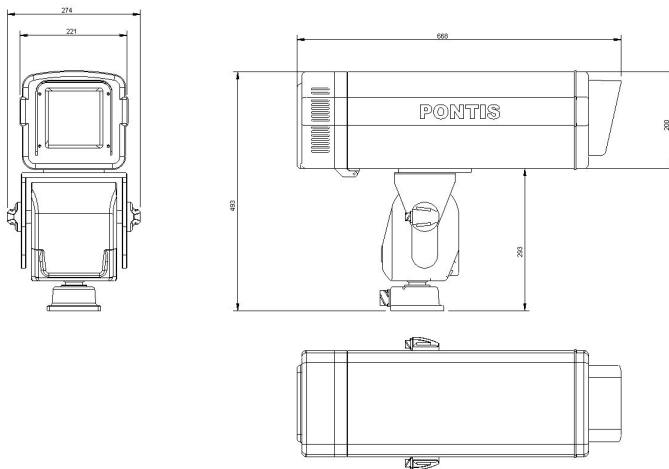
- Pan/Tilt unit (hardened)
- Sun shield

Applications:

- Traffic surveillance (lightning save)
- Object surveillance in critical environments
- Military and governmental buildings

Technical Data

Video signal system	H.264, MJPEG, MPEG-4 (IP Cam, ONVIF support)
Resolution	1,920 x 1,080 Full HD
Minimum illumination	0,3 Lux @ 1.65 color
Zoom	f4.44 – 142.6 mm: 32 x optical (motorized), 16 x digital
Focus	automatic / manual
White balance	automatic
Image stabilisation	On/Off
Glas fibre	50/125 µm glass fibre with ST-connectors
Operating temperature / humidity / wheather proof	-20 ° to +70 °C / 20 to 85 % RH, IP65
External dimensions	600 x 200 x 219 mm (L x W x H)
Weight	approx. 15 kg
Camera supply	24 VAC, 50 / 60 Hz
Power supply (hardened)	115 / 230 VAC, 50 / 60 Hz
Immunity	Short pulse E1 & intermediate pulse E2
Compliance	MIL STD 188–125
Pan / Tilt (hardened)	external, option; Pan 350 °, Tilt -80 / +20 °, max. load 25 kg



Prices and specifications are subject to change without notice!

PONTIS
EMC PRODUCTS
A BRAND OF AUDIOVO

PONTIS EMC Products designed and manufactured by:

Audiovo GmbH
Irrenloher Damm 30
92521 Schwarzenfeld
Germany

Phone +49(9435) 54 19-0
Fax +49(9435) 54 19-19
info@audiovo.com
www.audiovo.com

You can buy also directly at our partners



www.meteolabor.ch



www.willteck.co.kr



zongkui.shao@pontis-emc.com